

iDP-3550/3551

CITIZEN®

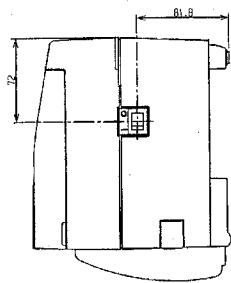
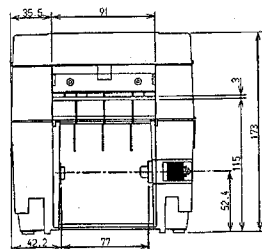
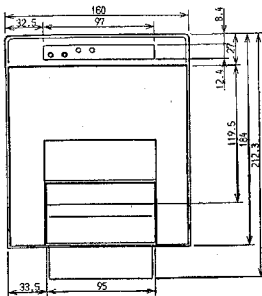
FEATURES

Small size, light weight, and low price
 High-speed print (Bi-directional)
 Red and black print
 Auto load
 Paper end sensor
 Built in auto cutter (ACS-134) (iDP-3551)
 Built in power supply

OPTIONS

Special purpose winder AW-3-E (Option)
 that will be placed Separately.

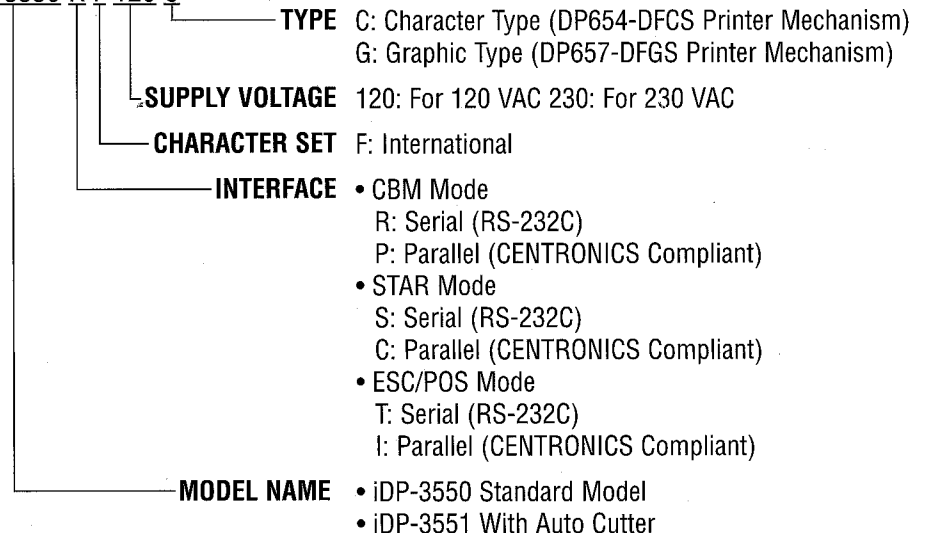
OUTLINE DRAWING OF IDP 3550



Item/Model	iDP-3550RF/PF	iDP-3551RF/PF
Print method	Serial dot impact method (Bidirectional print), 2-pass graphic (Unidirectional print)	
Print width	Character type: 63.6 mm/Graphic type: 58.7mm	
Print head	9 pins	
Print speed	Character type: Approx. 3.6 lines/second/Graphic type: Approx. 3 lines/second	
Print columns	40 Columns	
Character size	Character type: 1.36 mm(W) X2.4 mm(H) (7 dots) 1.36 mm(W) X3.1 mm(H) (9 dots) Graphic type: 1.20 mm(W) X2.4 mm(H) (7 dots) 1.20 mm(W) X3.1 mm(H) (9 dots)	
Line spacing	Character type: 4.23 mm (1/6 inch) Graphic type: 2.82mm (1/9 inch)	
Paper	Ordinary paper and non-carbon paper: 76+/-0.5 mm(W) x ø83 mm(OD)	
Ink ribbon	Special purpose ribbon cartridge: Red/Black or Single Color (Black or Purple)	
Interface	Serial(RS-232C), Parallel(CENTRONICS compliant)	
Command system	CBM mode, STAR mode, ESC/POS mode The user can select the mode with the DIP switch and preset jumpers.	
Input buffer	6KB or 256 bytes (Selectable with the DIP switch)	
Drawer function	2-drawer, 1-drawer switch	
Auto loading function	Automatically feeds the paper by several lines when it is inserted.	
Paper end detection	Stops printing when the paper has run out.	
Paper near end detection	Stops printing when the paper is running out. (Settable with a command)	
Auto cutter	None	AC-134-E (Capable of partial and full cut)
Weight	Approx. 2.8 kg Approx. 3 kg	
Outer dimensions	160(W)x212(D)X194(H)mm 160(W)x212(D)X173(H)mm	
Operating temperature and Humidity	0 to 40°C, 35 to 85 %RH (No dew condensation)	
Storage temperature and Humidity	-20 to 60°C, 10 to 90 %RH (No dew condensation)	

MODEL CLASSIFICATIONS

iDP-3550 R F 120 C



CITIZEN

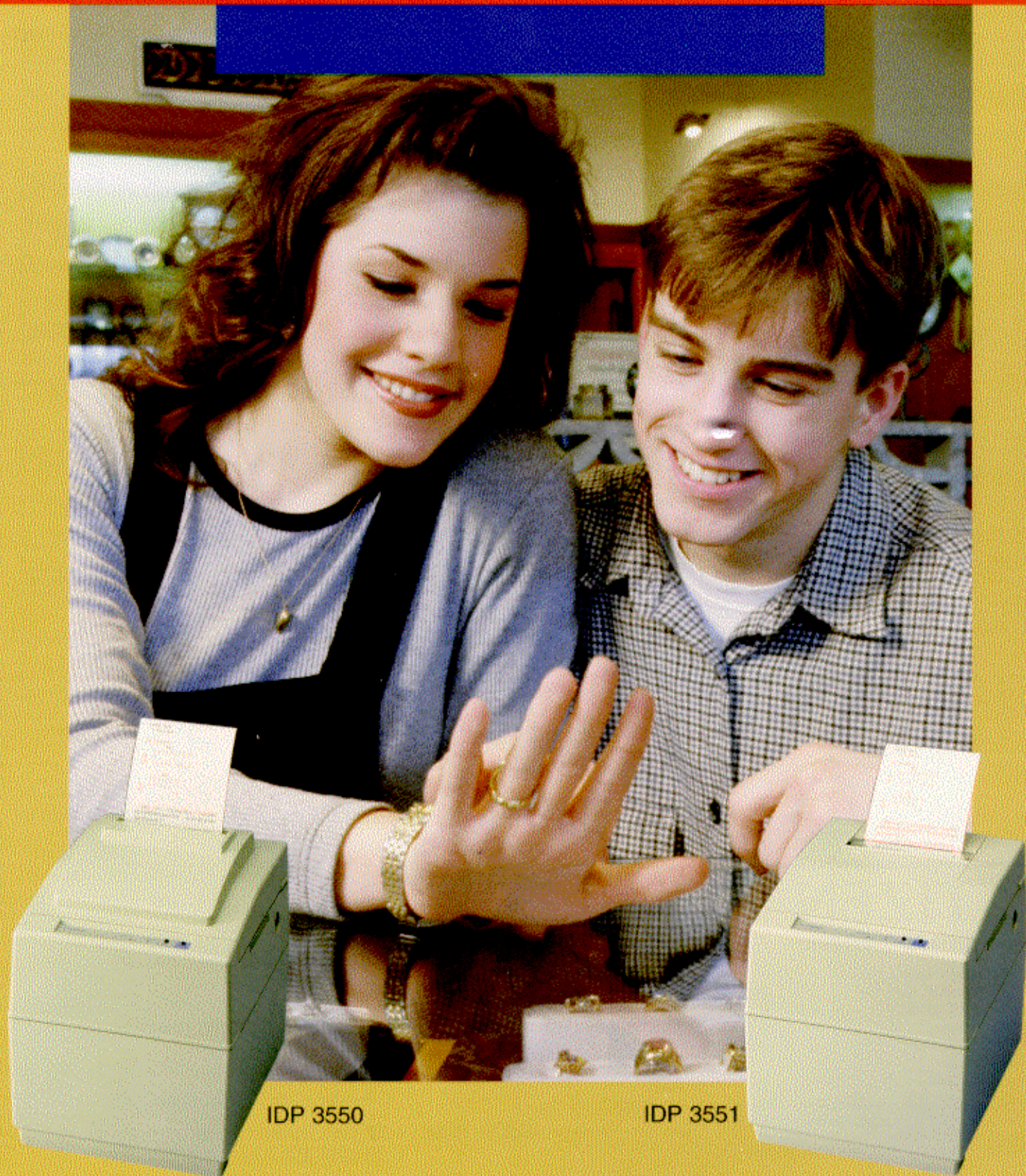
RELIABILITY•VALUE•SUPPORT

CBM America Corporation
 365 Van Ness Way, Suite 510
 Torrance, CA 90501
 310 781-1460
 310 781-9152 Fax
 800 421-6516
 www.cbma.com

All trademarks and copyrights acknowledged.
 All features and specifications are subject to
 change without notice.
 ©1999 CBM America Corporation. Printed U.S.A.

CITIZEN®

iDP-3550/3551



IDP 3550

IDP 3551

Legacy Technology Services

We Rent & Sell All Types Of Barcode Equipment

Call now to talk to an expert

866-271-9891

www.LegacyGlobal.com

Some brands we carry



MOTOROLA

Intermec

DATALOGIC™

Honeywell

EQUINOX
PAYMENTS



About us

- Legacy Technology Services is a leading nationwide provider of mobile computing, barcode, printers and point of sale equipment and services.
- For over a decade, thousands of clients across North America have trusted us to provide equipment from leading manufacturers backed by the services to support them.

Latest Hardware from top manufacturers

- Legacy handles virtually every major manufacturer of mobile computing, barcoding and point of sale equipment.

Expert Repair and Maintenance services

- Legacy is one of the best repair facilities in North America

Discontinued product sourcing

- They don't make it anymore? Our inventory also includes manufacturer close-outs and discontinued equipment to support our clients legacy infrastructure.

Trade-in and Disposal services

- That old equipment laying around your facility may still have some value. Legacy routinely purchases equipment from our clients around the globe.
 - Data destruction
 - Hardware disposal
 - Auditing services

Dedicated client account team

- Dedicated, highly trained account managers are here to answer all your questions and provide top notch service.

Equipment rental services

- Sometimes renting is a better solution, Legacy's huge rental inventory provides the equipment you need for temporary needs and projects.



Legacy, Inc.

160 West Road,
Ellington, CT 06029

Toll Free: 866-271-9891

Fax: 888-522-4684